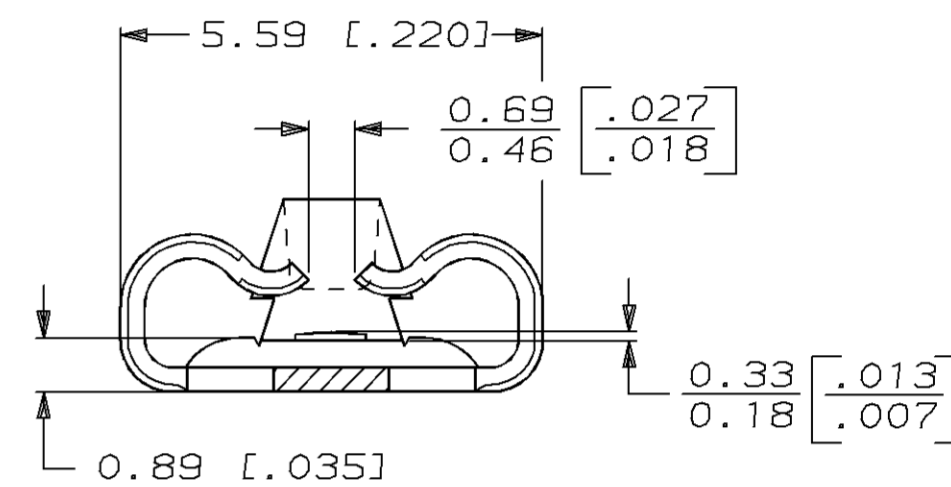
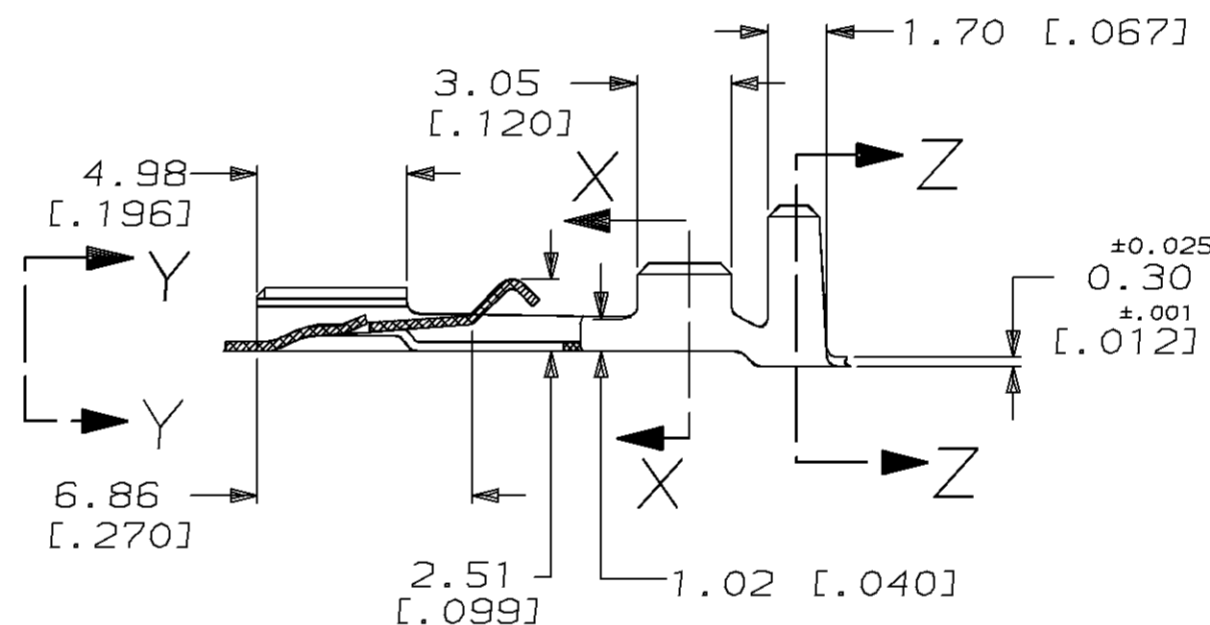
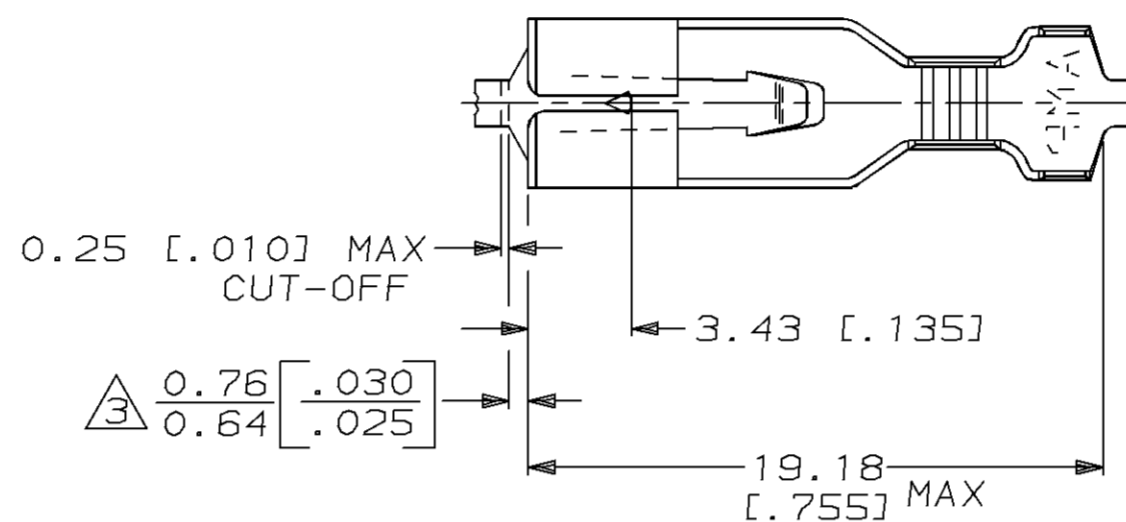
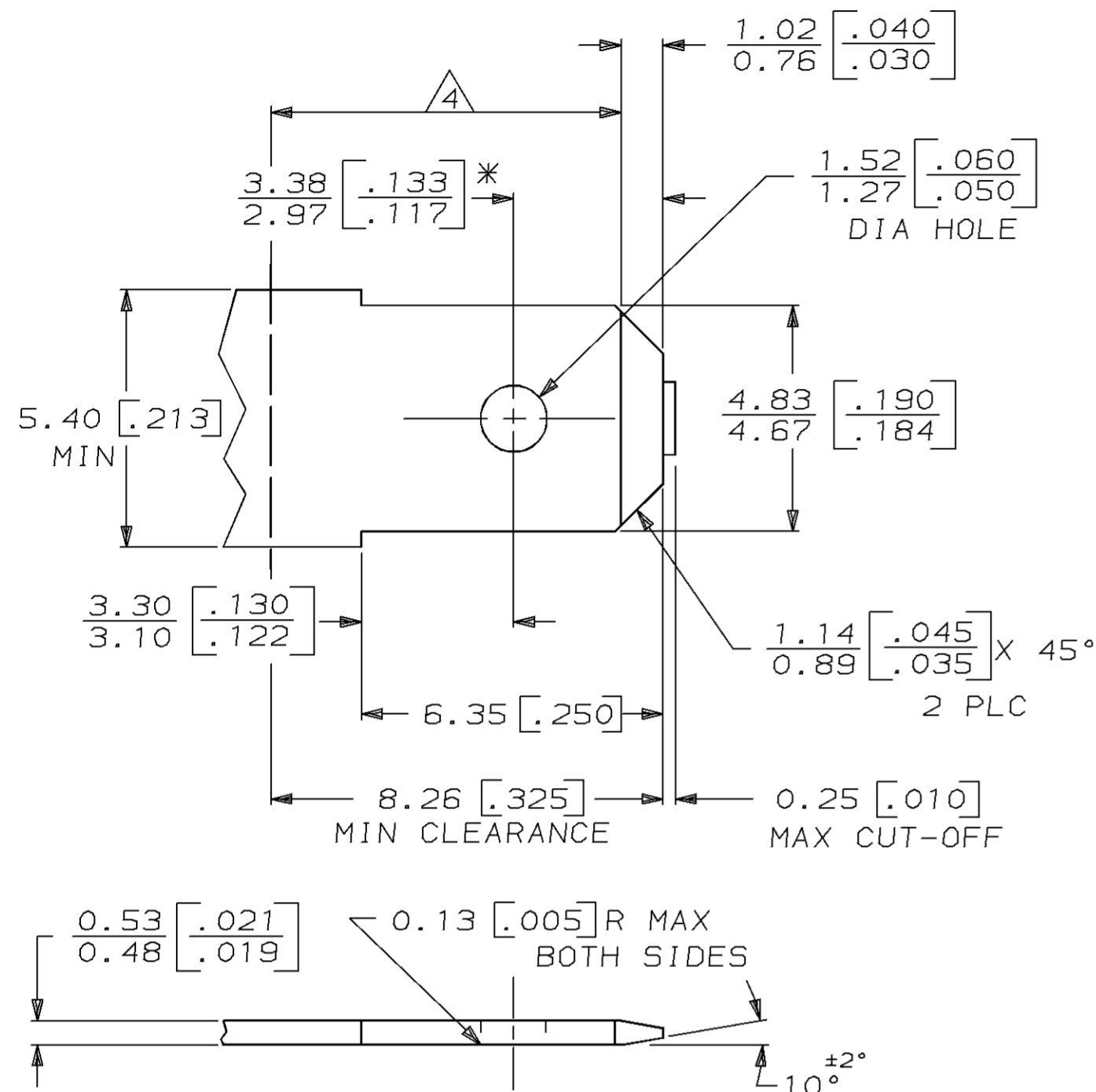
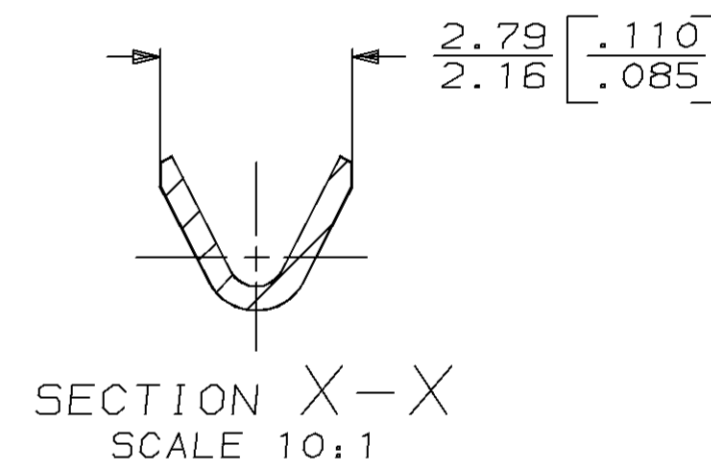


| LOC | | DIST | | REVISIONS | | | |
|-----|----|------|-----|-------------------------|---------|-------|--|
| P | F | ZONE | LTR | DESCRIPTION | DATE | APPD | |
| AF | 50 | | M | OBS -1 PER 0L10-0056-96 | 8/26/96 | JR/JG | |

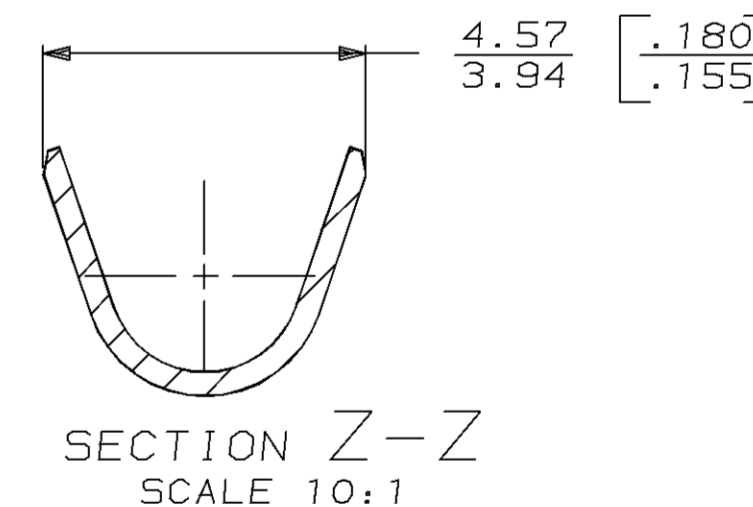
SUGGESTED MATING TAB



VIEW Y-Y
SCALE 10:1



SECTION X-X
SCALE 10:1



SECTION Z-Z
SCALE 10:1

- 1 NOT FOR USE IN AMP HOUSINGS.
- 2 CONTINUOUS STRIP ON REELS.

△ THE 0.76 [.030] / 0.64 [.025] DIMENSION MUST BE MAINTAINED BY THE APPLICATOR CUT-OFF TO ENSURE THE PROPER LOCKING FUNCTION OF THE RECEPTACLE.

- 1 MATL: #2 HARD BRASS OR NICKEL PLATE STEEL.
- 2 NO BURRS PERMISSIBLE AT HOLE.
- 3 TIN PLATING IS REQUIRED ON BRASS WHEN TERMINAL TEMPERATURE IS OVER 225°F.
- △ 4 MUST BE FLAT WITHIN 0.076 [.003] OVER THIS LENGTH.
- 5 HOLE MUST BE SYMMETRICAL ABOUT TAB ϕ WITHIN 0.076 [.003].
- * TO BE USED ONLY WHEN SHOULDER IS ELIMINATED.

| | | | | |
|----------|--|---|---|---------------------|
| OBsolete | PRE-TIN | 1.52-2.79 [.060-.110] DIA | 0.2-0.5mm ² [24-20] AWG | 63407-2 |
| | TIN 0.002032 [.000080] MIN | | | 63407-1 |
| | FINISH | INSULATION RANGE | WIRE SIZE | PART NO |
| | DO NOT SCALE PRINT. UNLESS SPECIFIED DIMENSIONS IN mm [INCHES] TOLERANCES ON : 2 PLC DEC ± 0.25 [.010] 3 PLC DEC ± - ANGLES ± - | DR 1/24/91 JR RUTH CHK 1/24/91 MS FEHER APPD 1/24/91 J GILLESPIE | AMP Incorporated Harrisburg, PA 17105-3608 NAME RECEPTACLE, POSITIVE-LOCK, 4.75 [.187] SERIES | |
| | MATERIAL #6H BRASS | APPD 1/24/91 D REINER PRODUCT SPEC - | | |
| | FINISH SEE TABLE | APPLICATION SPEC - | SIZE C 00779 | DRAWING NO 63407 |
| | | WEIGHT - | SCALE 4:1 | SHEET 1 OF 1 |

